

**Contact:**

info@pichano.se

www.pichano.se

+46 26 54 56 00

AUTOSTRIPPER® BALE

Automatic Dewiring for Pulp Bales

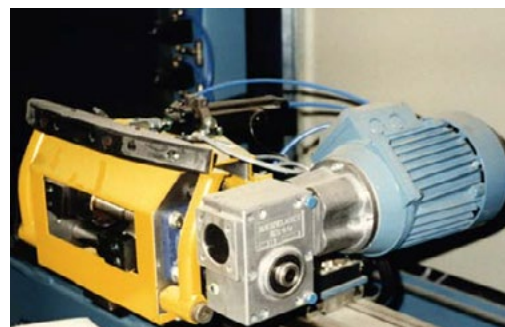
AutoStripper® is a line of products for Pulper Feeding equipment which includes automatic dewiring for all types and sizes of bales.

AutoStripper® Bale is specifically designed for automatic dewiring of market pulp bales in pulper charging lines. It is fully self-contained and uses the latest technology for drives and controls.

AutoStripper® Bale consists of bale stop and bale lift integrated into the conveyor, wire cutting devices, wire gripping head and wire coiler.

**The Gripping Head**

Consisting of two sets of pincers, the gripping head will remove all wires in one operation. It adjusts to the bale size and number of wires automatically

**The Cutting Units**

The two cutting units simultaneously cuts any number of wires. The sensing device will detect the wires even if they are partly concealed.

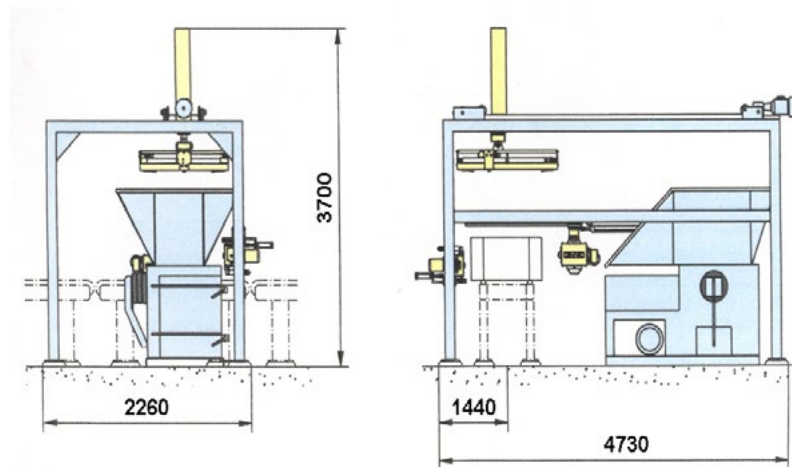


The Coiler

The removed wires are fed into the scrap coiler by the traveling gripping head. The coils of up to 100 kg are very compact, hence attractive to the steel recycling industry.

Technical information

- › Runs exclusively on electricity and compressed air which makes it highly sustainable.
- › -Automatic adjustment to bale sizes and wire orientation.
- › Easy installation in existing lines without major modifications.
- › Simplicity in operation and service.
- › High capacity without turning of the bale.



Technical data

Bale size:	250 Kg (Nominal)
Capacity:	Up to 120 bales per hour
Utilities	Motor voltage to mill standard instrument air 6 bar