

Contact:

info@pichano.se

www.pichano.se

+46 26 54 56 00

AUTOSTRIPPER® UNIT COMPACT

Automatic Dewiring for Pulp Bale Units

AutoStripper® is a line of products for Pulper Feeding equipment which includes automatic dewiring for all types and sizes of bales.

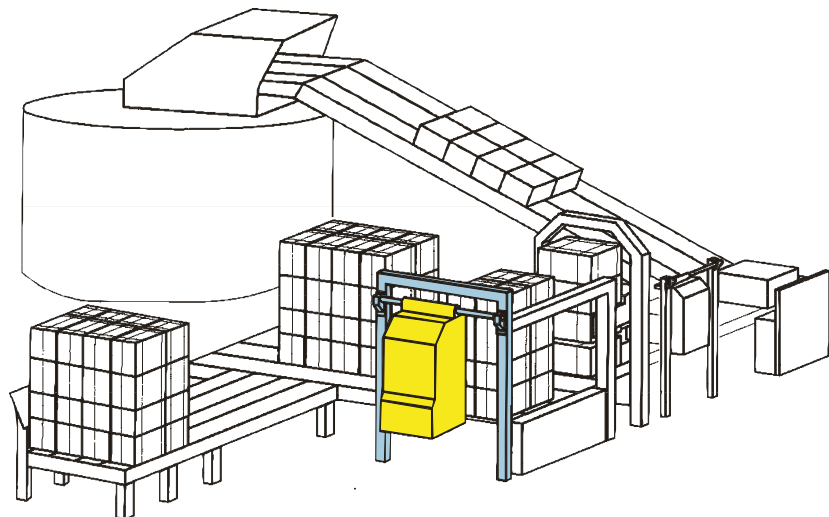


The AutoStripper® Unit Compact has been developed for low and medium capacity mills, where cost efficiency and space saving are key features.

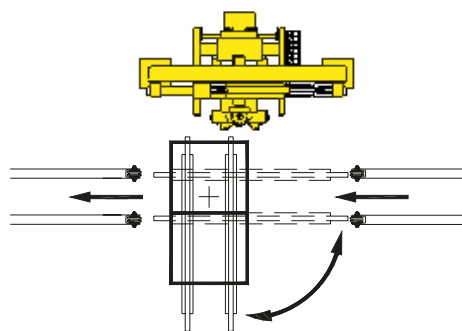
The AutoStripper® Unit Compact can be installed in most existing manual dewiring stations without major modifications. It will automatically:

- › Detect, catch and cut the wires.
- › Wind the wires into a compact coil.
- › Feed the coil to a suitable scrap container or a scrap conveyor.

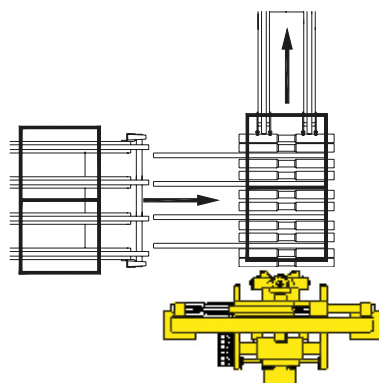
The machine is self-contained and will be supplied complete with PLC control and hydraulic unit.



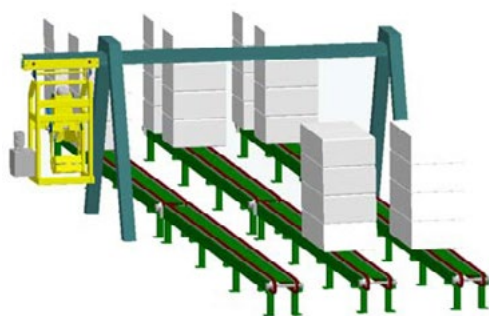
Typical installations of the
AutoStripper® Unit Compact:



In-line, where the bale units are loaded to the
system along the conveying direction.



In an angle, where the bale units are loaded to
the system across the conveying direction.



Traveling along an overhead beam across
several loading conveyors.